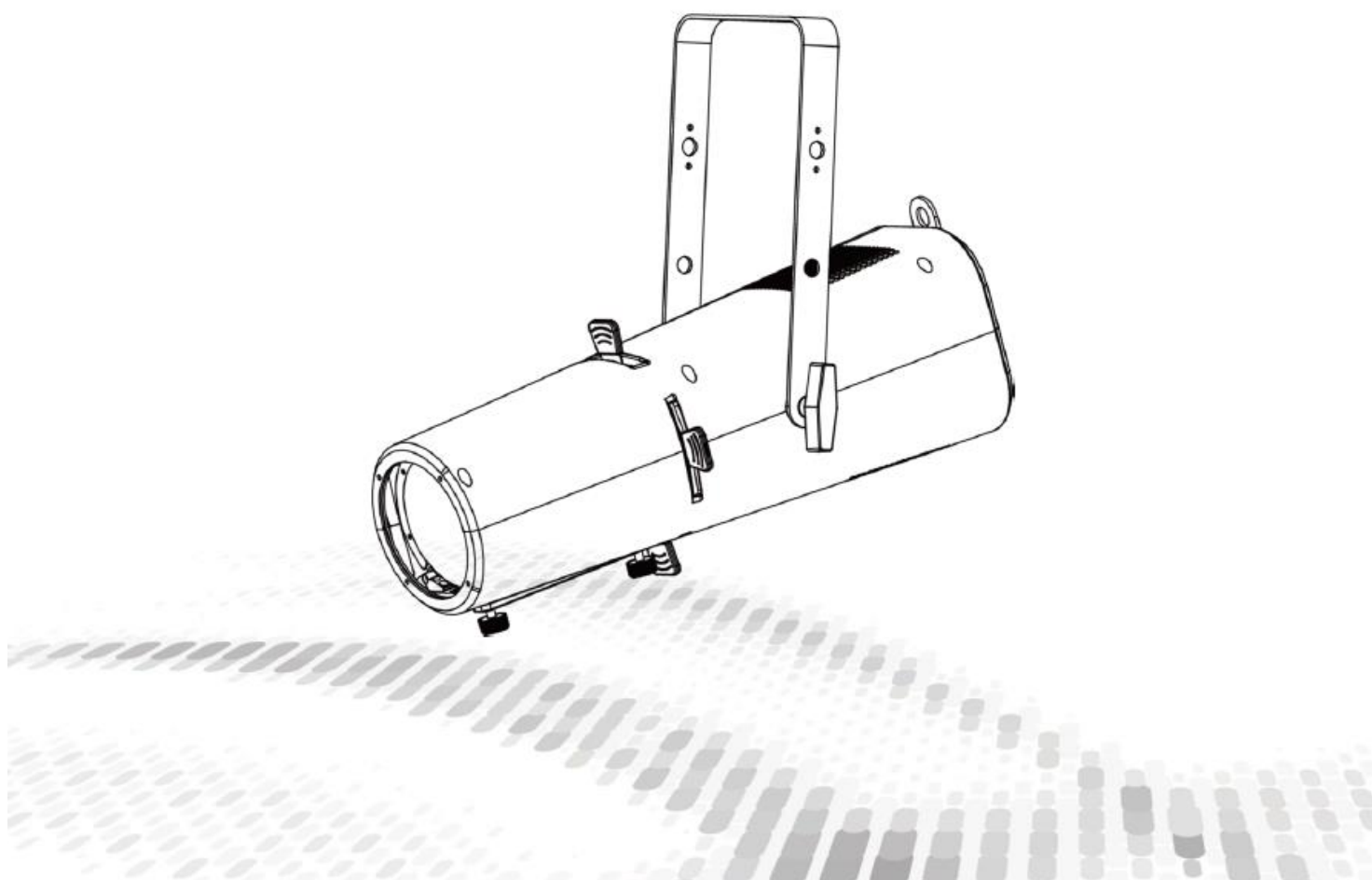


ECLIPSE Profile Zoom RGBAL

LEDPRO050

USER MANUAL

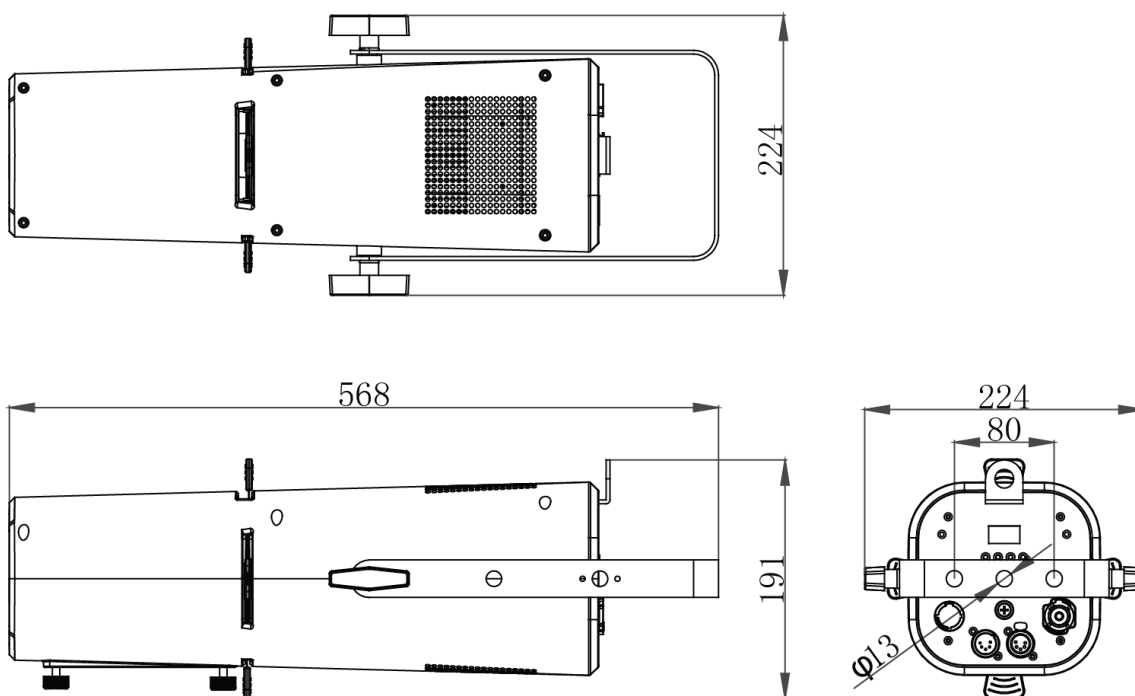


1 PRODUCT

1.1 TECHNICAL SPECIFICATIONS

Type	Eclipse Zoom Profile RGBAL
LED colors	Red, Green, Blue, Lime, Amber
Power	170W
Voltage Range	AC100~240V,50/60Hz
Protection	IP20
Operation Temperature	0°C~45°C
Dimensions	568x224x191mm
Weight	5.84kg

DIMENSIONS



1.2 Safety Notes

IMPORTANT

- This product must be installed by a qualified professional.
- To keep the product in good condition, and to ensure a safe operation, it is necessary for the user to follow the safety instructions and warning notes in this manual.
- The manufacturer will not accept liability for any resulting damages caused by the non-observance of this manual or any unauthorized modification to the device.

CAUTION!

- Make sure that the available voltage is not higher than stated on the rear panel.
- Do not touch the power cables if your hands are wet.
- The earth wire must always be connected to the ground. It is essential to connect the yellow/green conductor to earth.
- Make sure that the power cord is never crimped or damaged by sharp edges. Check the device and the power cord from time to time for damage. Electrical connection, repairs and servicing must be carried out by a qualified person.
- Always disconnect the power input cable to completely remove power from the unit when not in use, or before cleaning or servicing the fixture.
- Do not switch the fixture on and off in short intervals as this could reduce the life of the fixture.
- Do not touch the device's housing bare hands during its operation as the housing becomes hot. The surface of the product's casing can reach up to 60°C (140°F) during operation. Avoid contact with persons and materials. Do not install the product in a location where there is a risk of accidental contact. Allow the product to cool for at least 10 minutes before handling.
- When replacing use lamps and fuses of same type and rating only.
- Please protect the fixture from damage during transport and installation. If there is any damage to the coating, the shell may be corroded.
- When hanging lamps and lanterns, it is necessary to verify that facilities and hooks can bear at least 10 times the weight of lamps and lanterns.
- Attach the safety wire to the correct holes only. Only operate the fixture after having checked that the housing is closed, and all screws are tightly fastened.
- The maximum ambient temperature of 45°C must never be exceeded. Do not operate the product if the ambient temperature (T_a) exceeds 45°C (115°F).

Electrical Warning

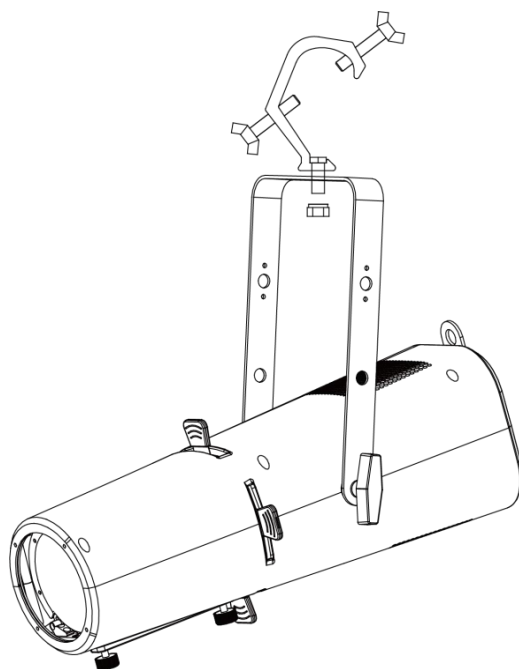
- The light source contained in this luminaire shall only be replaced by the manufacturer or qualified service agent, or a similar qualified person.

2 INSTALLATION

2.1 MOUNTING

UPRIGHT

- ◆ Keep all combustible materials (e.g. fabric, wood, paper) at least 500 mm (20 in.) away from the product.
- ◆ For overhead installation, the fixture must be always secured with a safety wire that can bear at least 10 times the weight of the fixture. Secure the fixture with a safety cable through the rear safety eye as shown.
- ◆ Ensure that the structure (truss) to which you are attaching the fixture is secure.



Hanging layout

2.2 POWER CONNECTIONS

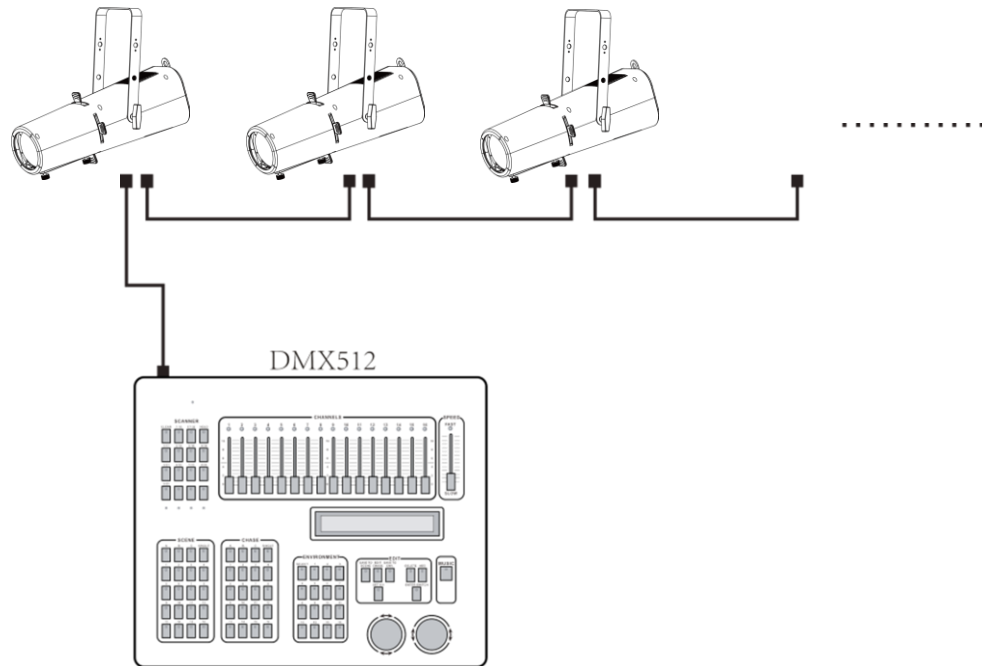
- ◆ Power Linking: 4 units @ 110V
8 units @ 220V.
- ◆ This product has an auto-ranging power supply that can work with an input voltage range of 100–240 VAC, 50/60 Hz.

AC Plug

Connection	Wire (U.S.)	Wire(Europe)	Screw Color
AC Live	Black	Brown	Yellow/Brass
AC Neutral	White	Blue	Silver
AC Ground	Green/Yellow	Green/Yellow	Green

2.3 Data network requirements

- ◆ Connect the DMX controller to the units in series. A DMX data link is required in order to control the fixture via DMX. The fixture has 3 and 5-pin XLR connectors for DMX data input and output.
- ◆ Each unit has N DMX channels so the DMX Addresses should increase by increments of 1, $(N \times 1) + 1$, $(N \times 2) + 1$, $(N \times 3) + 1 \dots$
- ◆ Any DMX address in the range from 001 to 512 may be used.



3 FUNCTIONS AND SETTINGS

3.1 DISPLAY OPERATION

- ◆ MENU: Used to access the menu or to return a previous menu option.
- ◆ ENTER: Used to select and store the current option or confirm the current value.
- ◆ UP: Navigates downwards through the menu list and increases the numeric value when in a function.
- ◆ DOWN: Navigates upwards through the menu list and decreases the numeric value when in a function.

3.2 Menu Map

STATIC	RED	0-255			Combine [RED][GREEN][BLUE][LIME][AMBER] to create an infinite range of colours (0-255). Set the value of the [STROBE](0-25Hz).
	GREEN	0-255			
	BLUE	0-255			
	AMBER	0-255			
	LIME	0-255			
	STROBE	0-255			
ADDRESS	001-512 (default001)				Set the DMX ADDRESS
RUN MODE	DMX (default)				[DMX] Using the DMX 512 controller to control [SLAVE] Master--Slave operation.
	SLAVE				
PERSON	BASIC				Use the menu to select desired channel mode
	SSP				
	TOUR (default)				
	TR16				
	HSIC				
	CMY				
AUTO PROGRAM	AUTO 1	0-255			Selects automatic AUTO program and AUTO program speed. Programs [CUSTOM 1] to [CUSTOM 2] are fully pre-programmed and can be edited in [EDIT] mode.
	AUTO 2	0-255			
	...	0-255			
	AUTO 10	0-255			
	CUSTOM 1				
	CUSTOM 2				
EDIT	PROGRAM 1-2	SCENE 01-10	RED	0-255	Enter the [EDIT] mode to edit the custom programs [PROGRAM01] to [PROGRAM2]. Each custom program has 30 scenes that can be edited. Fade transition time, time 0-255 units in seconds, fade time setting should be less than
			GREEN	0-255	
			BLUE	0-255	
			AMBER	0-255	
			LIME	0-255	
			STROBE	0-25	

			TIME	0-255	time setting.
			FADE	0-255	After editing the program, Play in AUTO.
	UPLOAD	****	SEND		Select [UPLOAD] to upload the custom programs
SETTING	****	RESET	****	RESET	Restore factory settings
		DIMMER	DIM4 (default)		Dimming curves DIM1 (fast) to DIM4 (slow) ;
			OFF		
		DMX ERROR	SAVE (default)		Hold after loss of DMX signal
			BLACK		Blackout after loss of DMX signal
		LED PWM	1200HZ (default)		Sets the PWM frequency
			2400HZ		
			4000HZ		
			6000HZ		
			25000HZ		
		PERFORM	LIVE (default)		Fan mode low speed
			POWER		Fan mode high speed
			STUDIO		Automatic rotation of fan
		DISP KEY	ON (default)		Locks display (passcode is <UP> <DOWN> <UP> <DOWN> <ENTER>)
			OFF		
		DISP TIME	ON		Display backlight always on
			10s		Turns off display backlight after 10s/30s /2min of inactivity
			30s (default)		
			2min		
		Color Cali	OFF		All power run
User Calibration	RED		0-255	Manually correct color	
	GREEN		0-255		
	BLUE		0-255		
	AMBER		0-255		
	LIME		0-255		
Factory Calibration		Factory correction			
INFO	FIXTURE HOURS			Hours of fixture use	
	VERSION			Software versions	
	RDM	UID	0x388Axxxxxxx	Check fixture's ID	
		LABEL	ECLIPSE MID COLOR 180	Check fixture's LABEL	
CCT	1800K			Preset color temperatures	
	2200K				
	2700K				
	3000K				
	3200K				
	4000K				

	4500K	
	5000K	
	5600K	
	6000K	
	6500K	
	7000K	
	8000K	
	10000K	
PRESET COLOR	COLOR 1	Preset color (See Annex I for details)
	COLOR 2	
	...	
	COLOR 48	
All passwords of this product are <UP> <DOWN> <UP> <DOWN> <ENTER>		

4 USING A DMX512 CONTROLLER

4.1 DMX CONTROL

HSIC (7CH)	Value	Function
CH.1	0-255	INTENSITY
CH.2	0-255	HUE
CH.3	0-255	HUE FINE
CH.4	0-255	SATURATION
CH.5	CCT	
	0-9	NO FUNCTION
	10	1800K
	25	2200K
	40	2700K
	55	3000K
	70	3200K
	85	4000K
	100	4500K
	115	5000K
	130	5600K
	145	6000K
	160	6500K
	175	7000K
	190	8000K
	205	10000K
255	10000K	
CH.6	STROBE	
	0-9	NO FUNCTION
	10-99	STROBE FROM SLOW TO FAST (0-25Hz)
	100-109	NO FUNCTION
	110-179	THUNDER STROBE
	180-189	NO FUNCTION
190-255	RANDOM SROBE	
CH.7	CONTROL (EXECUTE AFTER 3 SECONDS)	
	0-010	NO FUNCTION
	11-060	RESERVED
	61-070	LIVE
	71-080	STUDIO
	81-090	POWER

91-100	RESERVED
101-110	DIMMER OFF
111-120	DIMMER DIM4
121-150	RESERVED
151-160	1200Hz
161-170	2400Hz
171-180	4000Hz
181-190	6000Hz
191-200	25000Hz
201-210	ALL RESET
211-255	RESERVED

BASIC (3CH)	SSP (7CH)	TOUR (12CH)	TR16 (18CH)	Value	Function
CH.1	CH.1	CH.1	CH.1	0-255	MASTER DIMMER
--	--	--	CH.2	0-255	MASTER DIMMER FINE
--	CH.2	CH.2	CH.3	0-255	RED
--	--	--	CH.4	0-255	RED FINE
--	CH.3	CH.3	CH.5	0-255	GREEN
--	--	--	CH.6	0-255	GREEN FINE
--	CH.4	CH.4	CH.7	0-255	BLUE
--	--	--	CH.8	0-255	BLUE FINE
--	CH.5	CH.5	CH.9	0-255	AMBER
--	--	--	CH.10	0-255	AMBER FINE
--	CH.6	CH.6	CH.11	0-255	LIME
--	--	--	CH.12	0-255	LIME FINE
CH.2	--	CH.7	CH.13	PRESET COLOR	
				0-10	NO FUNCTION
				11-255	PRESET COLOUR (See Annex I for details)
CH.3	--	CH.8	CH.14	CCT	
				0-9	NO FUNCTION
				10	1800K
				25	2200K
				40	2700K
				55	3000K
				70	3200K
				85	4000K
				100	4500K
				115	5000K
130	5600K				

				145	6000K
				160	6500K
				175	7000K
				190	8000K
				205	10000K
				255	10000K
--	--	CH.9	CH.15	AUTO	
				0-40	NO FUNCTION
				41-50	AUTO 1
				51-60	AUTO 2
				61-70	AUTO 3
				71-80	AUTO 4
				81-90	AUTO 5
				91-100	AUTO 6
				101-110	AUTO 7
				111-120	AUTO 8
				121-130	AUTO 9
				131-140	AUTO 10
				141-150	PROGRAM 1
				151-160	PROGRAM 2
161-255	NO FUNCTION				
--	--	CH.10	CH.16	0-255	AUTO SPEED ADJUSTMENT
--	CH.8	CH.11	CH.17	STROBE	
				0-9	NO FUNCTION
				10-99	STROBE FROM SLOW TO FAST (0-25Hz)
				100-109	NO FUNCTION
				110-179	THUNDER STROBE
				180-189	NO FUNCTION
190-255	RANDOM SROBE				
--	--	CH.12	CH.18	CONTROL (EXECUTE AFTER 3 SECONDS)	
				0-010	NO FUNCTION
				11-060	RESERVED
				61-070	LIVE
				71-080	STUDIO
				81-090	POWER
				91-100	RESERVED
				101-110	DIMMER OFF
				111-120	DIMMER DIM4
121-150	RESERVED				

				151-160	1200Hz
				161-170	2400Hz
				171-180	4000Hz
				181-190	6000Hz
				191-200	25000Hz
				201-210	ALL RESET
				211-255	RESERVED

CMY (10CH)	Value	Function
CH.1	0-255	DIMMER
CH.2	0-255	CYAN
CH.3	0-255	MAGENT
CH.4	0-255	YELLOW
CH.5	PRESET COLOR	
	0-10	NO FUNCTION
	11-255	PRESET COLOUR (See Annex I for details)
CH.6	CCT	
	0-9	NO FUNCTION
	10	1800K
	25	2200K
	40	2700K
	55	3000K
	70	3200K
	85	4000K
	100	4500K
	115	5000K
	130	5600K
	145	6000K
	160	6500K
	175	7000K
	190	8000K
205	10000K	
255	10000K	
CH.7	AUTO	
	0-40	NO FUNCTION
	41-50	AUTO1
	51-60	AUTO2
	61-70	AUTO3
	71-80	AUTO4

	81-90	AUTO5
	91-100	AUTO6
	101-110	AUTO7
	111-120	AUTO8
	121-130	AUTO9
	131-140	AUTO10
	141-150	CUSTOM1
	151-160	CUSTOM2
	161-255	NO FUNCTION
CH.8	0-255	AUTO SPEED ADJUSTMENT
	Effect of center STROBE	
	0-9	NO FUNCTION
	10-99	STROBE FROM (SLOW TO FAST , 0-25Hz)
CH.9	100-109	NO FUNCTION
	110-179	LIGHTNING STROBE
	180-189	NO FUNCTION
	190-255	RANDOM STROBE
	CONTROL (EXECUTE AFTER 3 SECONDS)	
	0-010	NO FUNCTION
	011-060	RESERVED
	061-070	LIVE
	071-080	STUDIO
	081-090	POWER
	091-100	RESERVED
CH.10	101-110	DIMMER OFF
	111-120	DIMMER DIM4
	121-150	RESERVED
	151-160	1200Hz
	161-170	2400Hz
	171-180	4000Hz
	181-190	6000Hz
	191-200	25000Hz
	201-210	ALL RESET
	211-255	RESERVED

Annex 1

PRESET COLOR	Value	Color Names	x	y
	0-10	NO FUNCTION		
COLOR 1	11-15	L176 Loving Amber	0.407	0.321
COLOR 2	16-20	R40 Light Salmon	0.499	0.321
COLOR 3	21-25	L24 Scarlet	0.561	0.296
COLOR 4	26-30	L164 Flame Red	0.659	0.302
COLOR 5	31-35	L747 Easy White	0.389	0.344
COLOR 6	36-40	R303 Warm Peach	0.448	0.353
COLOR 7	41-45	L08 Dark Salmon	0.498	0.347
COLOR 8	46-50	L25 Sunset Red	0.566	0.359
COLOR 9	51-55	L04 Medium Bastard Amber	0.37	0.335
COLOR 10	56-60	L237 CID(To Tungsten)	0.43	0.365
COLOR 11	61-65	R321 Soft Golden Amber	0.477	0.406
COLOR 12	66-70	L652 Urban Sodium	0.535	0.399
COLOR 13	71-75	L212 LCT Yellow(Y1)	0.34	0.363
COLOR 14	76-80	L765 LEE Yellow	0.389	0.412
COLOR 15	81-85	L513 Ice And A Slice	0.38	0.447
COLOR 16	86-90	L100 Spring Yellow	0.41	0.502
COLOR 17	91-95	L244 LEE Plus Green	0.324	0.388
COLOR 18	96-100	R4430 CalColor 30 Green	0.318	0.44
COLOR 19	101-105	L122 Fern Green	0.234	0.543
COLOR 20	106-110	L90 Dark Yellow Green	0.184	0.641
COLOR 21	111-115	L243 LEE Fluorescent3600K	0.286	0.37
COLOR 22	116-120	R92 Turquoise	0.235	0.36
COLOR 23	121-125	R94 Kelly Green	0.185	0.459
COLOR 24	126-130	L327 Forest Green	0.162	0.496
COLOR 25	131-135	L191 Cosmetic Aqua Blue	0.3	0.318
COLOR 26	136-140	L728 Steel Green	0.256	0.302
COLOR 27	141-145	L117 Steel Blue	0.223	0.278
COLOR 28	146-150	L354 Special Steel Blue	0.173	0.265
COLOR 29	151-155	L53 Paler Lavender	0.284	0.284
COLOR 30	156-160	L501 New Colour Blue	0.246	0.249
COLOR 31	161-165	L174 Dark Steel Blue	0.204	0.205
COLOR 32	166-170	L165 Daylight Blue	0.159	0.158
COLOR 33	171-175	L136 Pale Lavender	0.288	0.254
COLOR 34	176-180	L194 Surprise Pink	0.24	0.183
COLOR 35	181-185	L142 Pale Violet	0.209	0.148
COLOR 36	186-190	L700 Perfect Lavender	0.177	0.07
COLOR 37	191-195	L35 Light Pink	0.335	0.289
COLOR 38	196-200	L794 Pretty'n Pink	0.335	0.251
COLOR 39	201-205	L328 Follies Pink	0.335	0.18
COLOR 40	206-210	L795 Magical Magenta	0.327	0.138
COLOR 41	211-215	L154 Pale Rose	0.35	0.318
COLOR 42	216-220	L127 Smokey Pink	0.397	0.265
COLOR 43	221-225	L192 Flesh Pink	0.41	0.237
COLOR 44	226-230	L332 Special Rose Pink	0.465	0.193
COLOR 45	231-235	L790 Moroccan Pink	0.378	0.324
COLOR 46	236-240	L157 Pink	0.457	0.272
COLOR 47	241-245	R332 Cherry Rose	0.489	0.295
COLOR 48	246-250	L128 Cool LED Bright Pink	0.57	0.263
	251-255	NO FUNCTION		